

Technical Product Sheet

BV12S-2466FC-PN10 - Lever

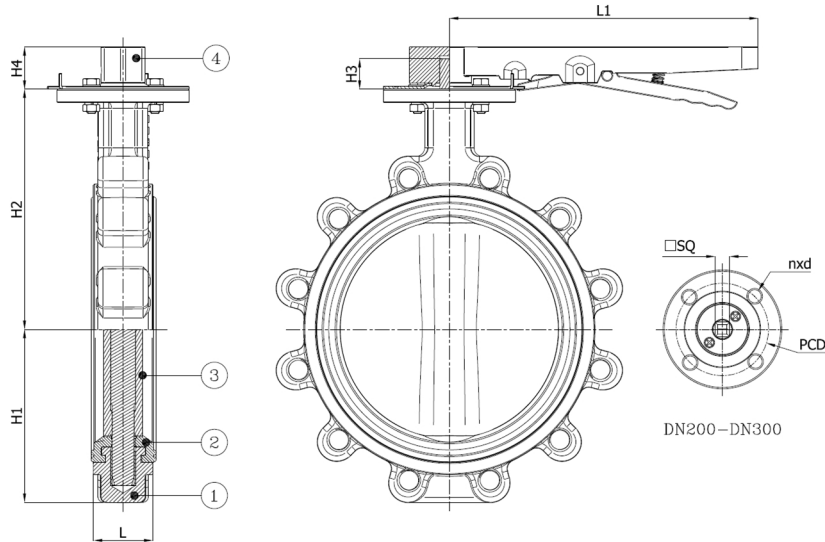
Lug type butterfly valve, mounting between flanges PN10, with lockable lever

Face to Face Standard: EN 558-1 Table 1 series 20

AB/FC seat, suitable for dry abrasive media, max. operating pressure 16 bar, -10°C to 70°C



Item Number	Belven Ref.
12S002047FC10200	BV12S-2466FC-PN10-DN200 - LEVER
12S002047FC10250	BV12S-2466FC-PN10-DN250 - LEVER
12S002047FC10300	BV12S-2466FC-PN10-DN300 - LEVER



DN/Size	L	H1	H2	H3	H4	L1	SQ	ISO	PCD	n x d1	Press.Cl.	Weight(kg)
DN200 (8")	60	165	243,5	34,5	45	350	17	F10	102	4 x d12	PN10	21.50
DN250 (10")	68	202	273	34,5	45	350	22	F10	102	4 x d12	PN10	32.00
DN300 (12")	78	235	311	34,5	45	350	27	F12	125	4 x d14	PN10	50.50

Item 1	Item 2	Item 3	Item 4
Body Material	Seat Material	Disc Material	Actuator Material
Ductile iron : GGG40 + Epoxy coating	FC - Styrene-Butadiene	Stainless steel : CF8M	Malleable iron

Belven N.V.

Blokhuisstraat 24 | 2800 Mechelen | Belgium

Tel. 015 29 40 70 | Fax. 015 20 14 13 | info@belven.com | www.belven.com

We keep the right to change the mentioned dimensions, weights, values and materials at any time without prior or direct notice.