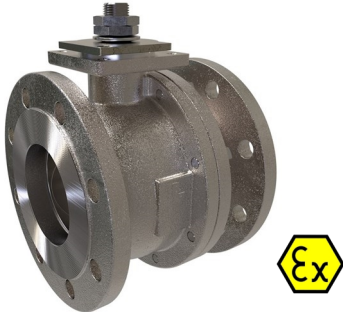


Technical Product Sheet

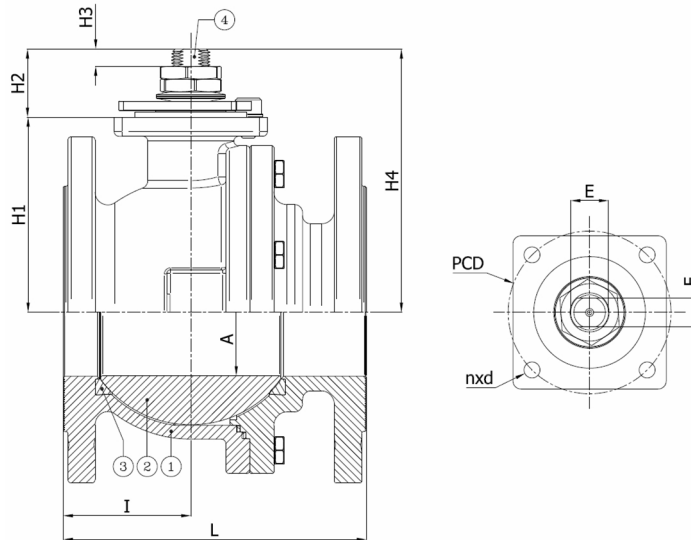
BV4-4466T-PN16 - Bare Shaft

Ball valve, full bore, split body, flanged PN16, bare shaft

Face to Face Standard: EN 558-1 series 27



Item Number	Belven Ref.
043D57F0065	BV4-4466T-PN16-DN065 - BARE SHAFT
043D57F0080	BV4-4466T-PN16-DN080 - BARE SHAFT
043D57F0100	BV4-4466T-PN16-DN100 - BARE SHAFT
043D57F0125	BV4-4466T-PN16-DN125 - BARE SHAFT
043D57F0150	BV4-4466T-PN16-DN150 - BARE SHAFT
043D57F0200	BV4-4466T-PN16-DN200 - BARE SHAFT



DN/Size	L	H1	H2	H3	H4	A	I	ISO	PCD	n x d	E	F	Press.Cl.	Weight(kg)
DN065 (2 1/2")	170	93,5	39,5	18	133	64	61	F07	70	4 x M8	M20	14	PN16	15.50
DN080 (3")	180	108	43	18	151	76	75,5	F10	102	4 x M10	M24	18	PN16	18.50
DN100 (4")	190	122	43	18	165	95	80	F10	102	4 x M10	M24	18	PN16	26.00
DN125 (5")	325	144	43	18	187	125	149	F10	102	4 x M10	M24	18	PN16	46.00
DN150 (6")	350	177	68	27,5	245	150	157	F12	125	4 x M12	M42	30	PN16	72.00
DN200 (8")	400	220	68	27,5	288	200	190	F12	125	4 x M12	M42	30	PN16	130.00

Item 1	Item 2	Item 3	Item 4
Body Material	Ball Material	Seat Material	Actuator Material
Carbon steel : 1.0619 (WCB)	Stainless steel : A182-F304 / A351-CF8	PTFE	SS Stem A182-F304

Belven N.V.

Blokhuisstraat 24 | 2800 Mechelen | Belgium

Tel. 015 29 40 70 | Fax. 015 20 14 13 | info@belven.com | www.belven.com

We keep the right to change the mentioned dimensions, weights, values and materials at any time without prior or direct notice.